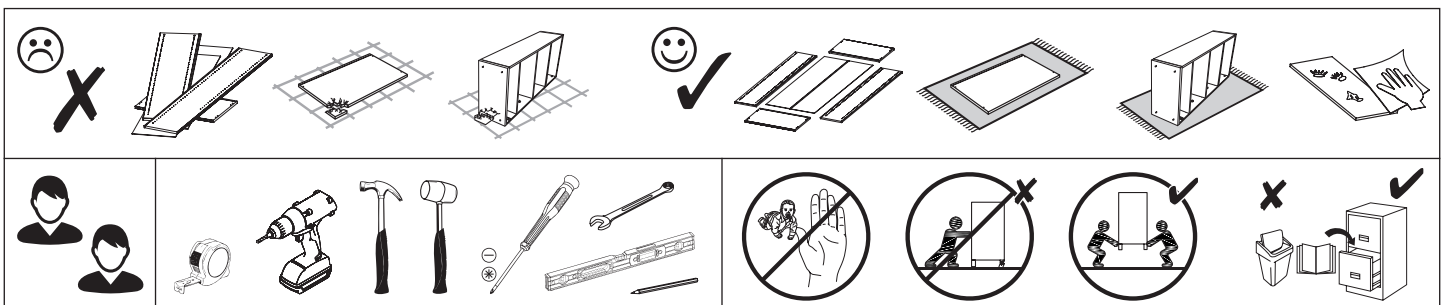
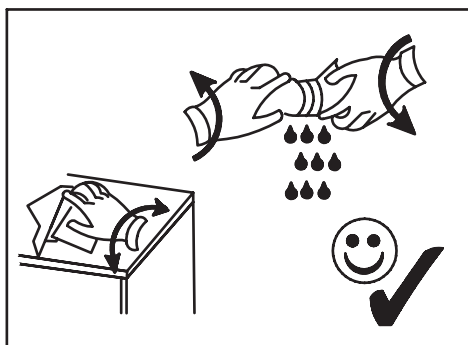
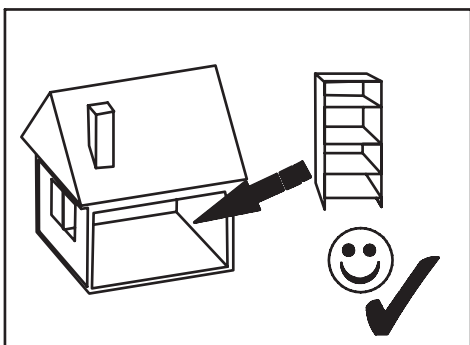
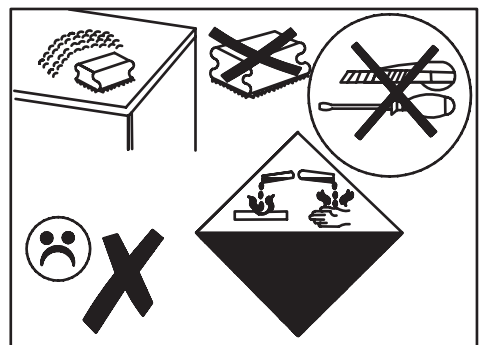
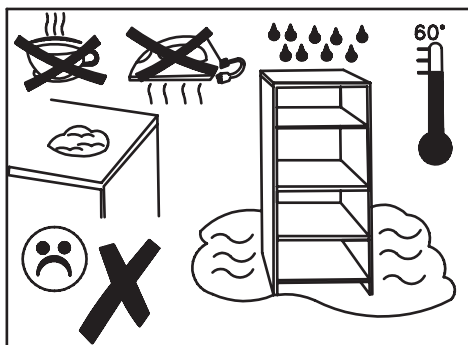
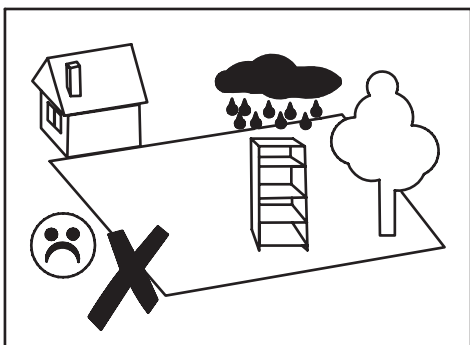
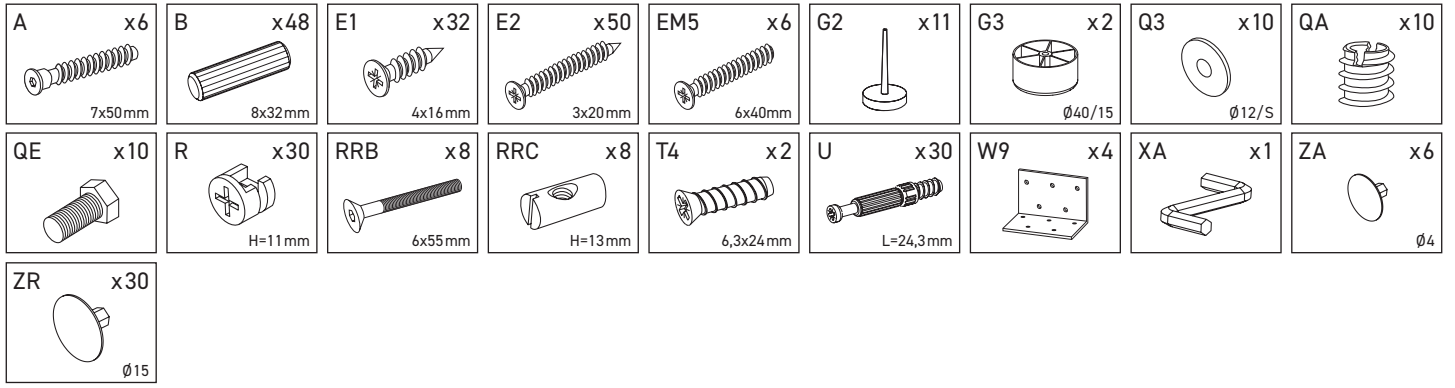


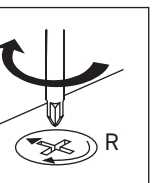
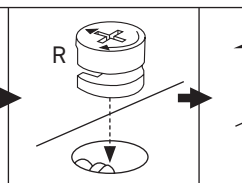
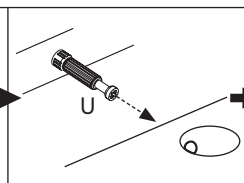
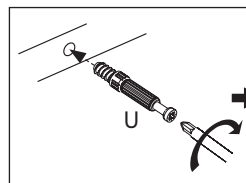
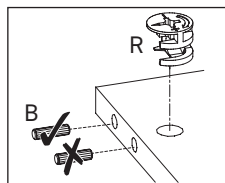
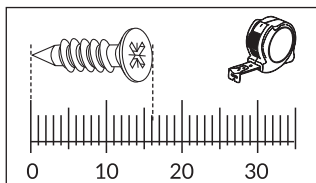
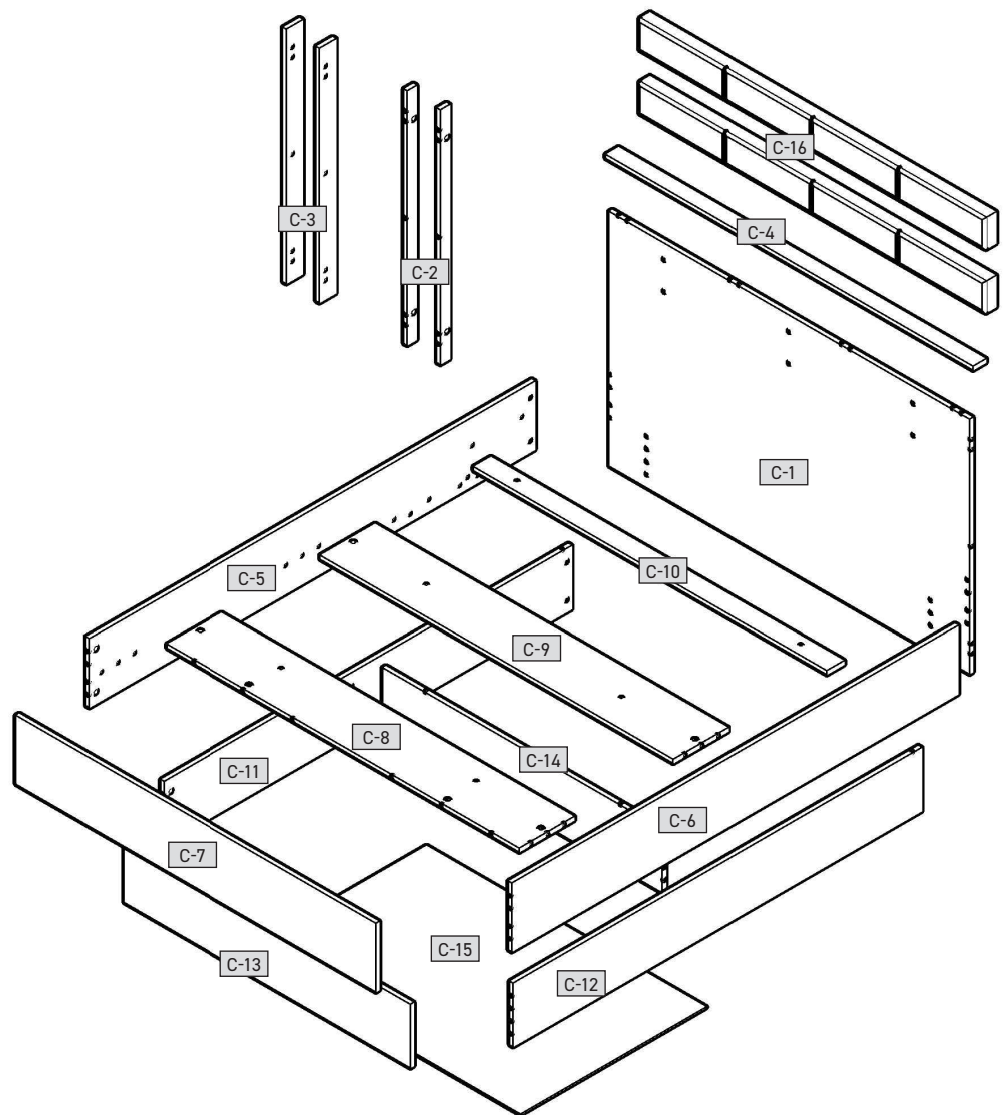
2023-06-05

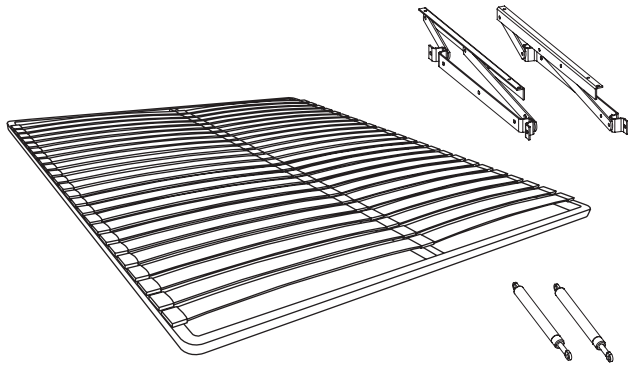






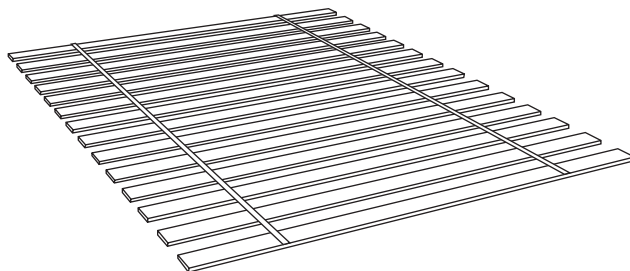
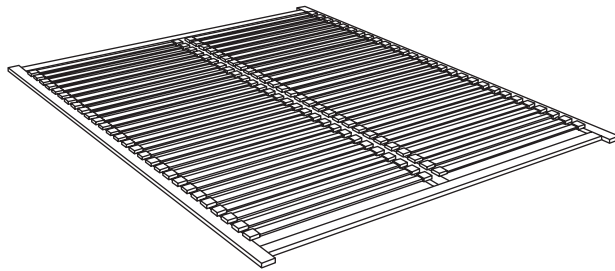
C-1	1632	1000	16	x 1	2/2
C-2	1000	44	16	x 2	1/2
C-3	1000	76	16	x 2	2/2
C-4	1666	78	16	x 1	1/2
C-5	2022	270	16	x 1	1/2
C-6	2022	270	16	x 1	1/2
C-7	1633	271	16	x 1	2/2
C-8	1600	250	16	x 1	2/2
C-9	1600	250	16	x 1	2/2
C-10	1600	80	16	x 1	2/2
C-11	1850	250	16	x 1	1/2
C-12	1850	250	16	x 1	1/2
C-13	1301	250	16	x 1	2/2
C-14	1268	250	16	x 1	2/2
C-15	1296	1002	3	x 1	2/2
C-16	1568	125	55	x 2	1/2



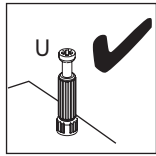
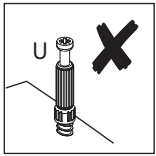
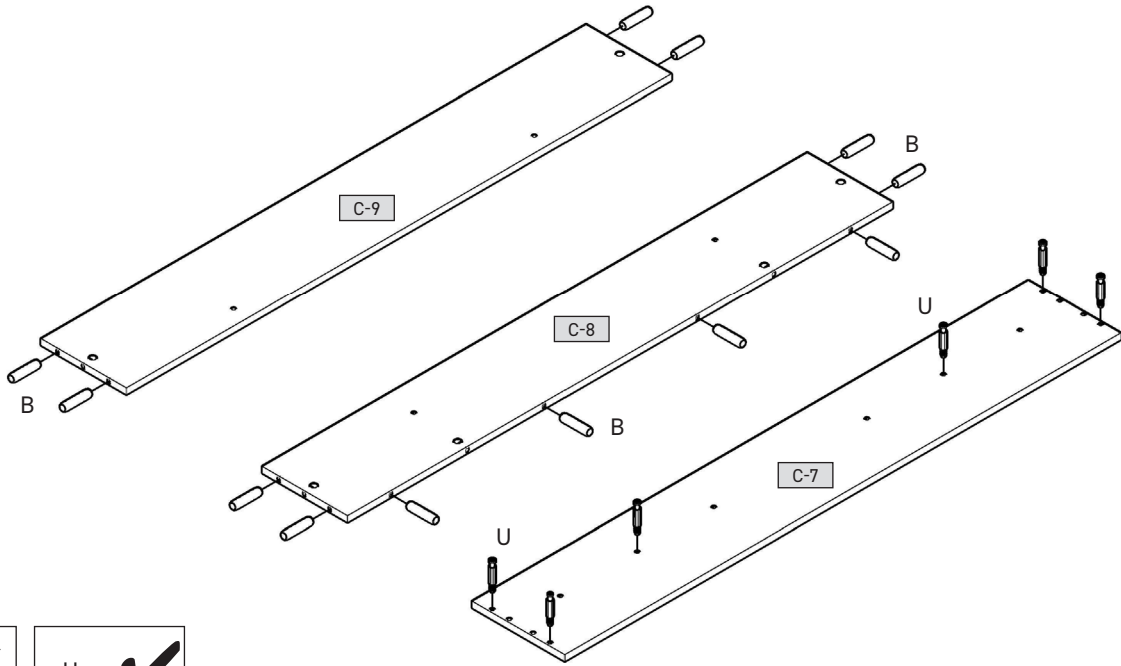
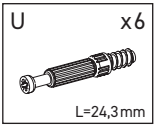
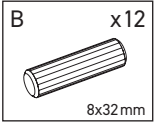


A

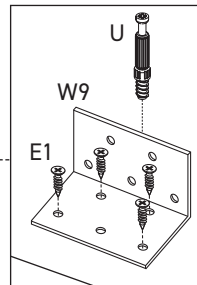
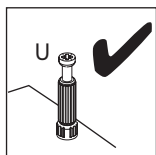
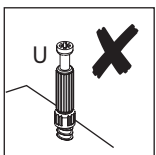
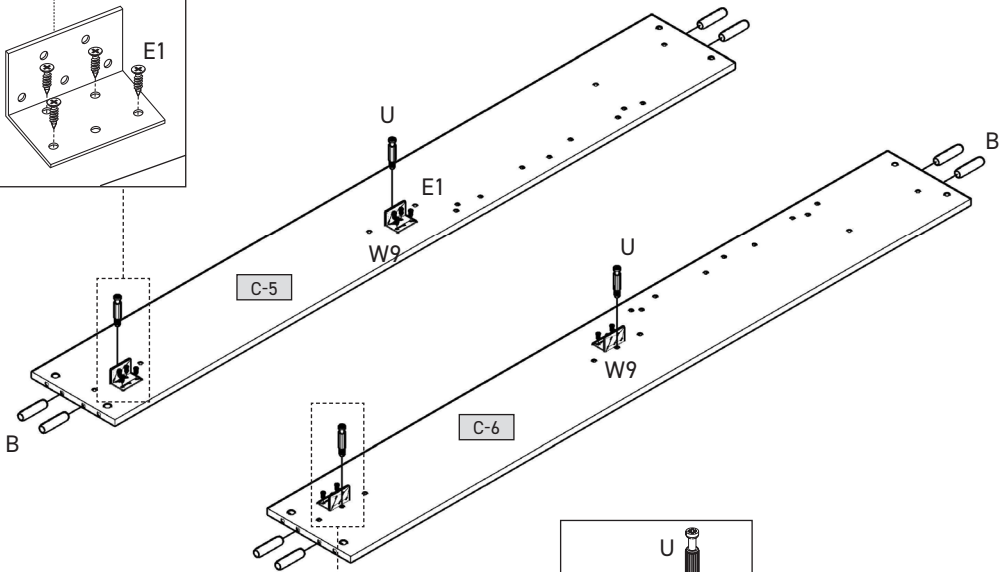
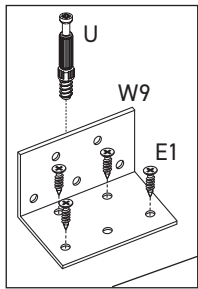
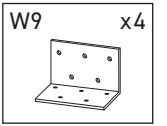
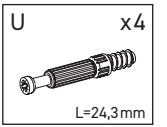
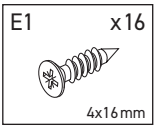
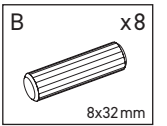
C



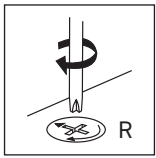
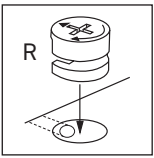
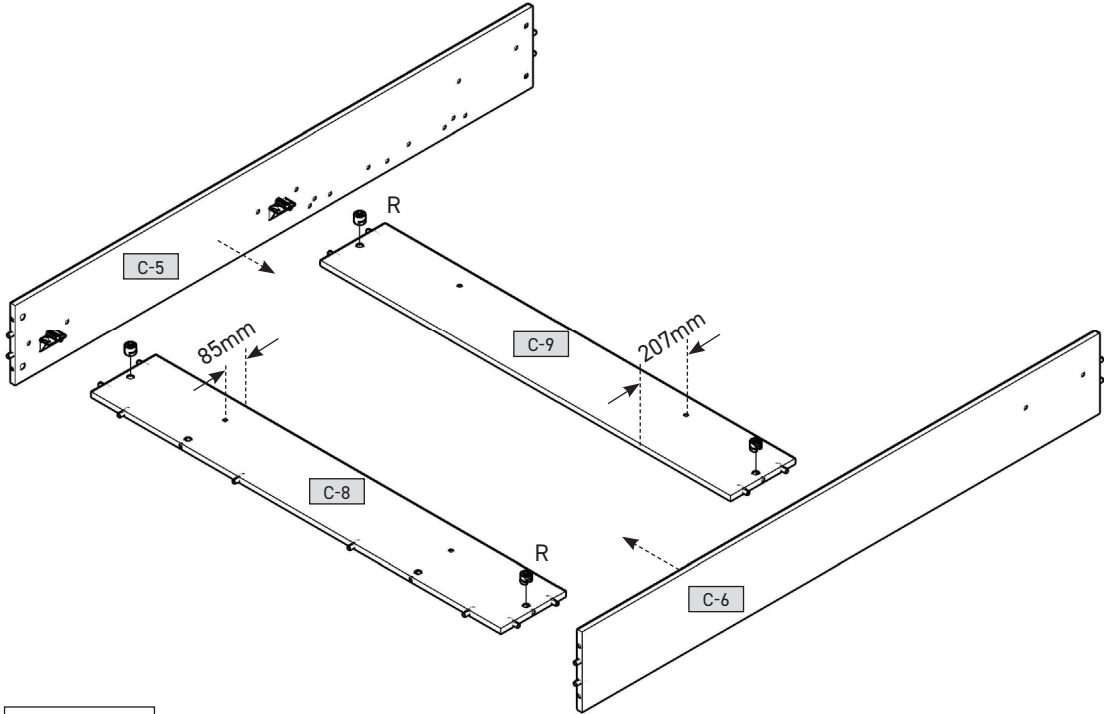
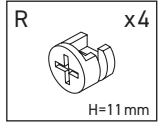
1



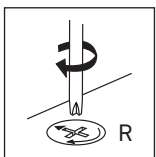
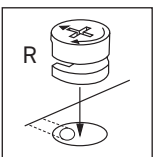
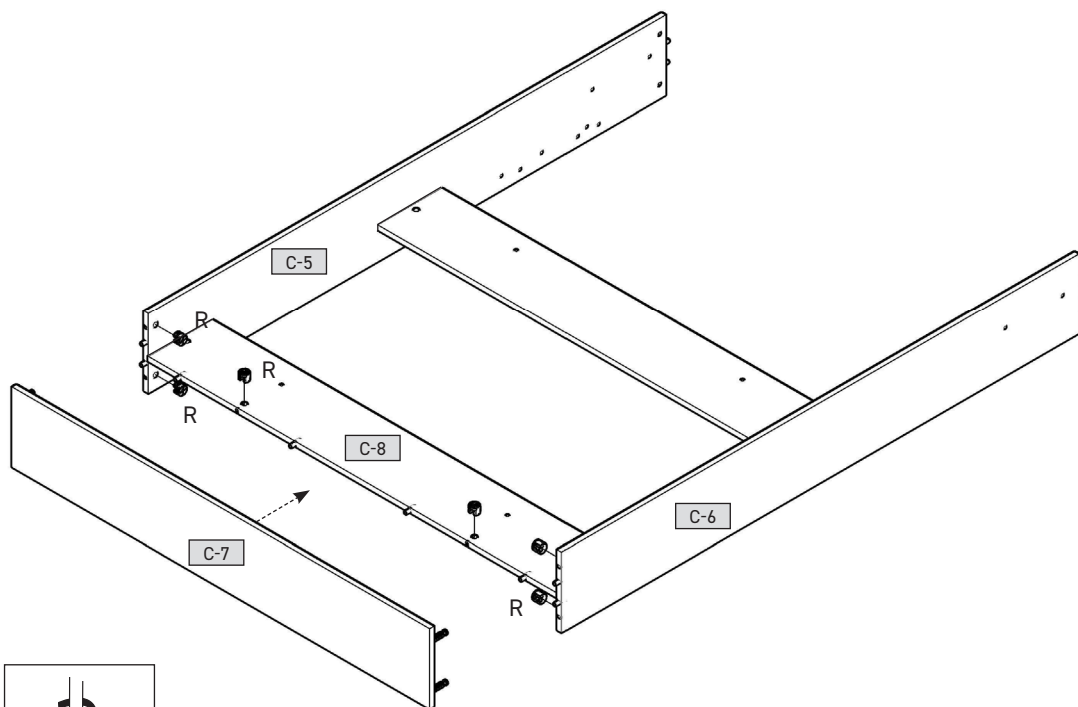
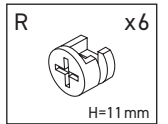
2



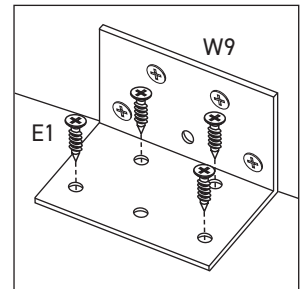
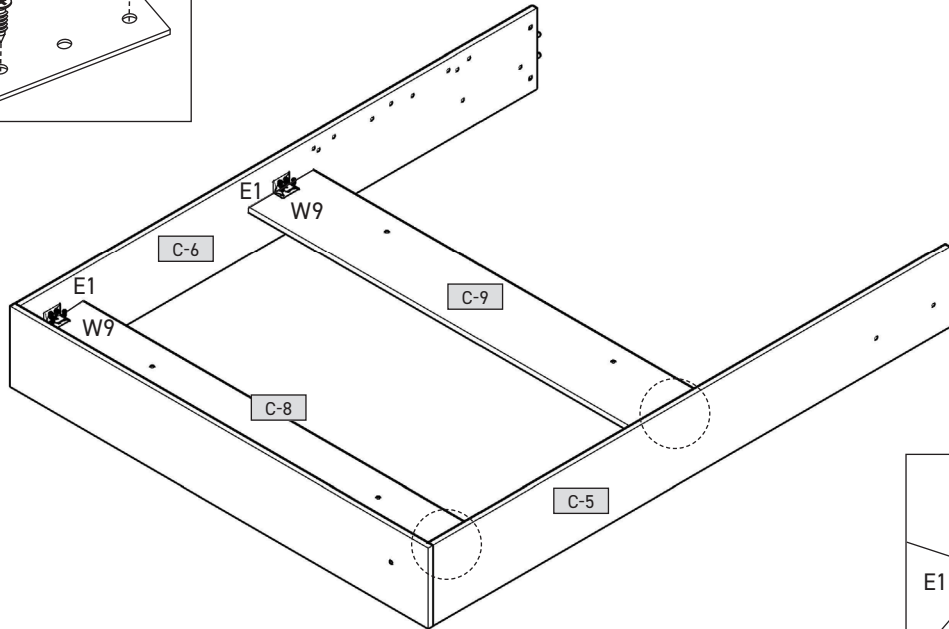
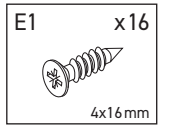
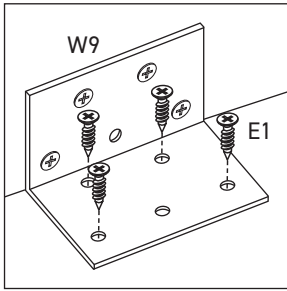
3



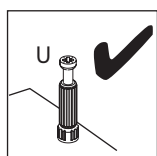
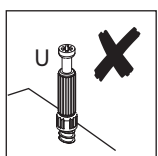
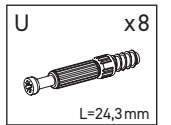
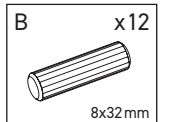
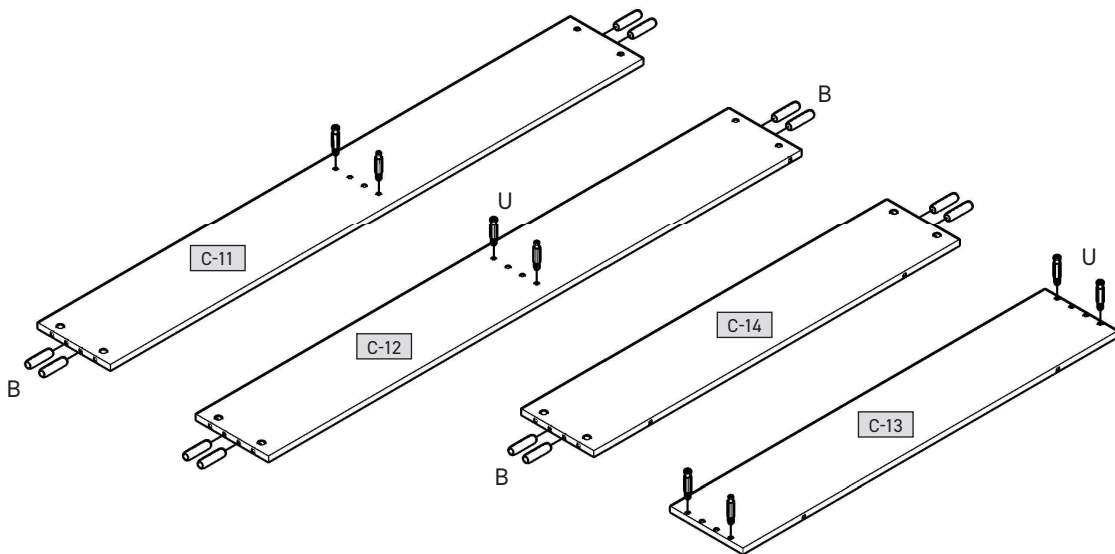
4



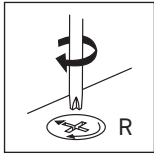
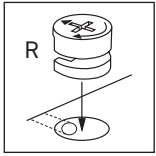
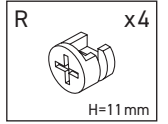
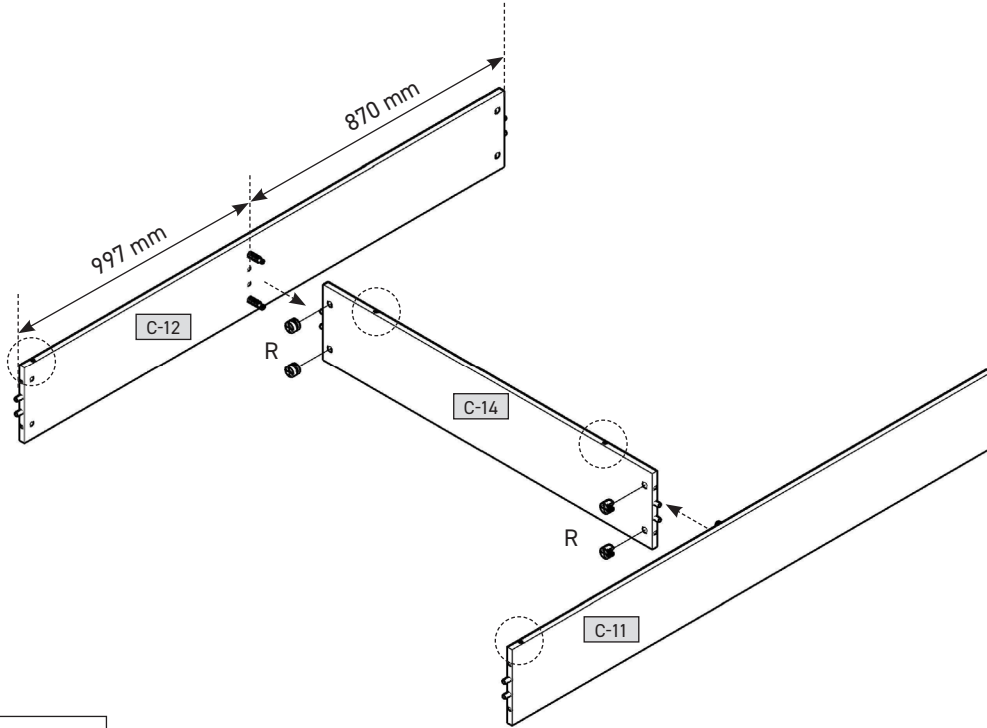
5



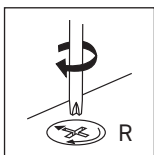
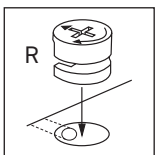
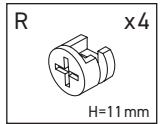
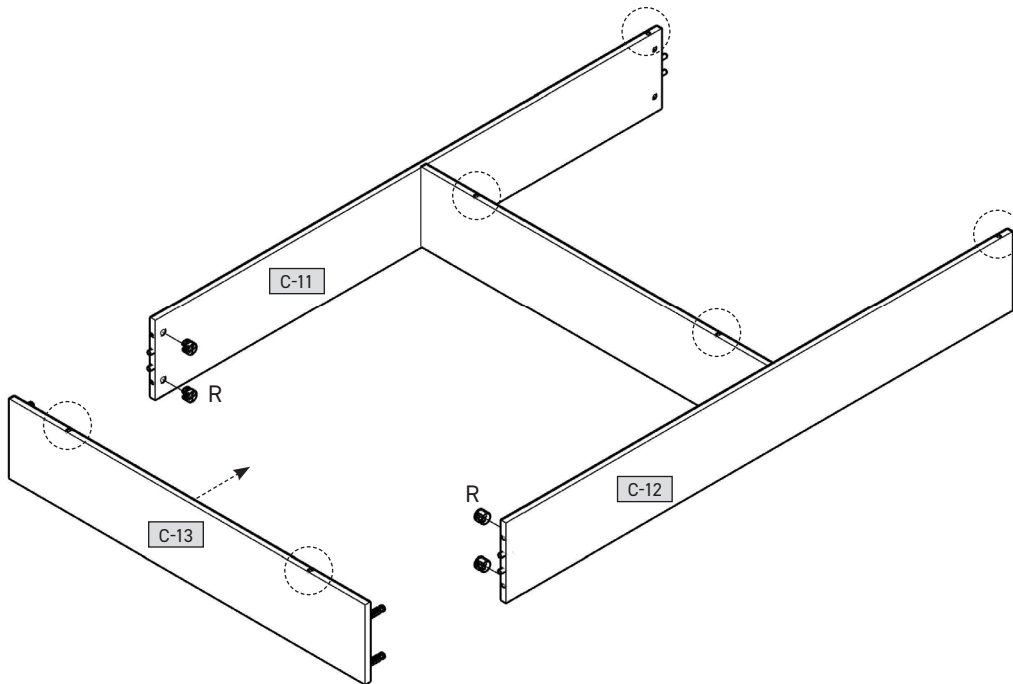
6



7

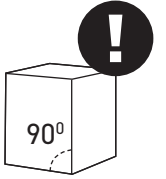
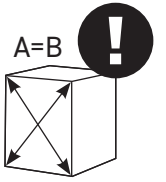
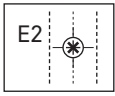
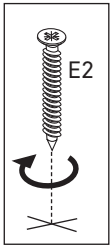
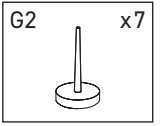
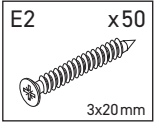
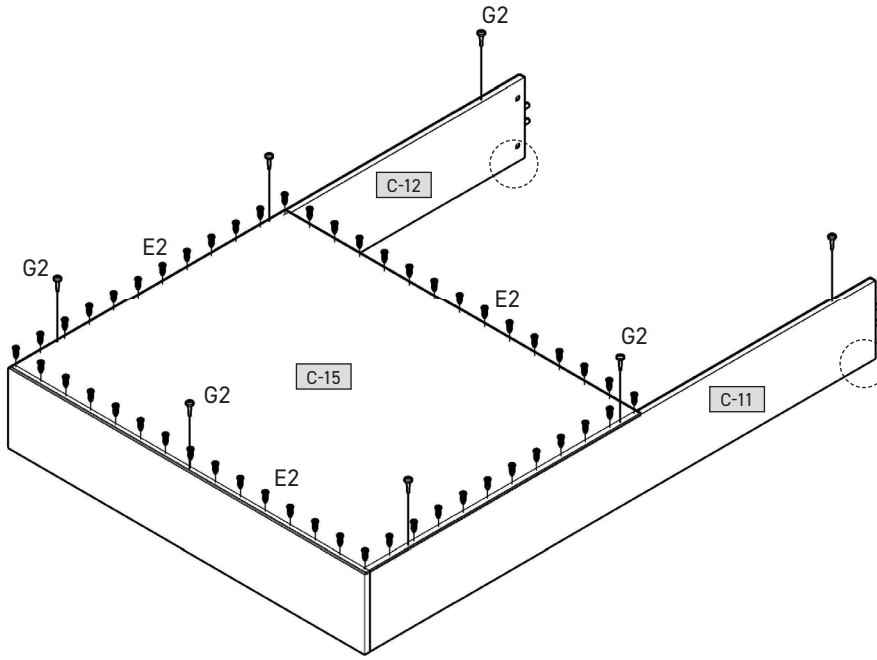


8

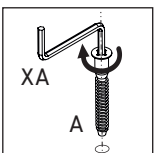
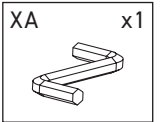
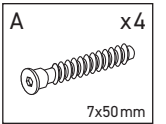
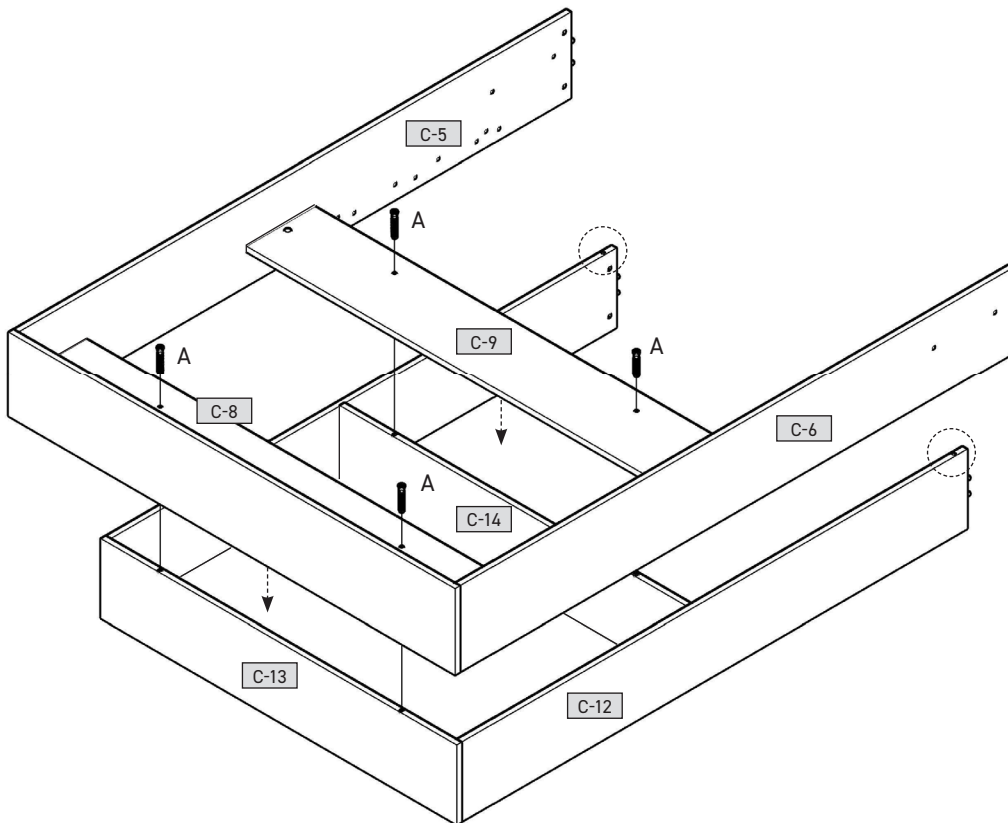




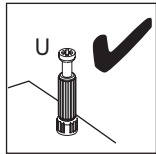
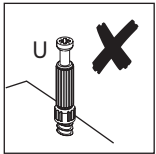
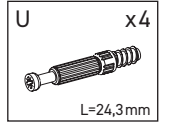
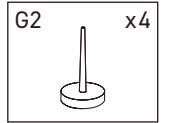
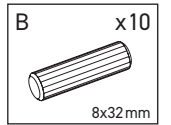
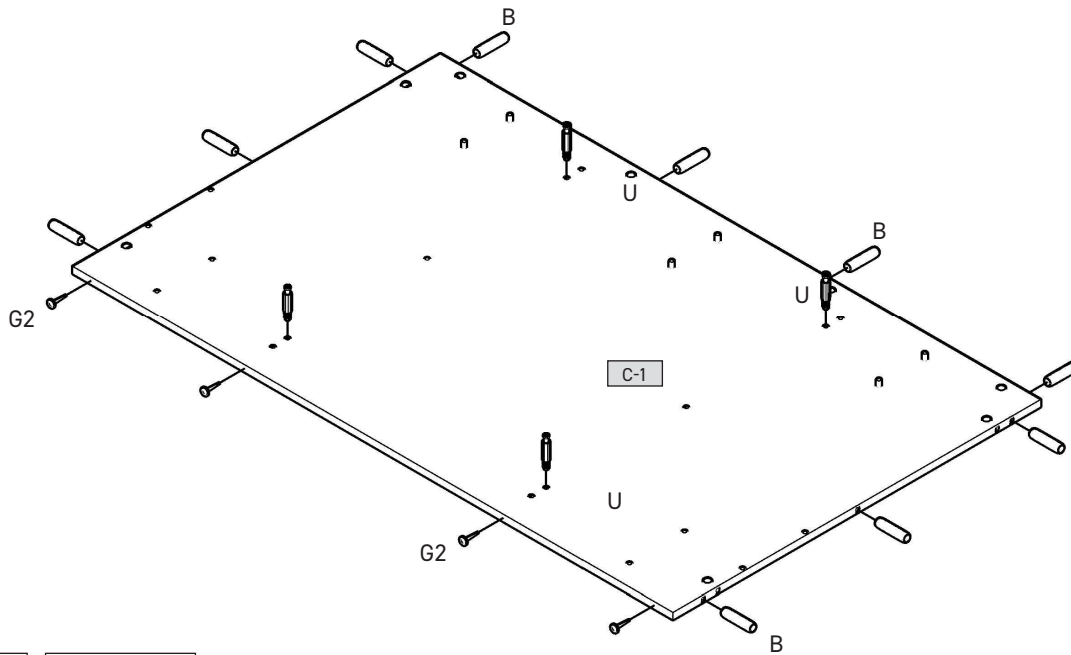
9



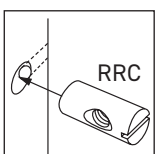
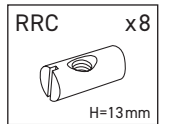
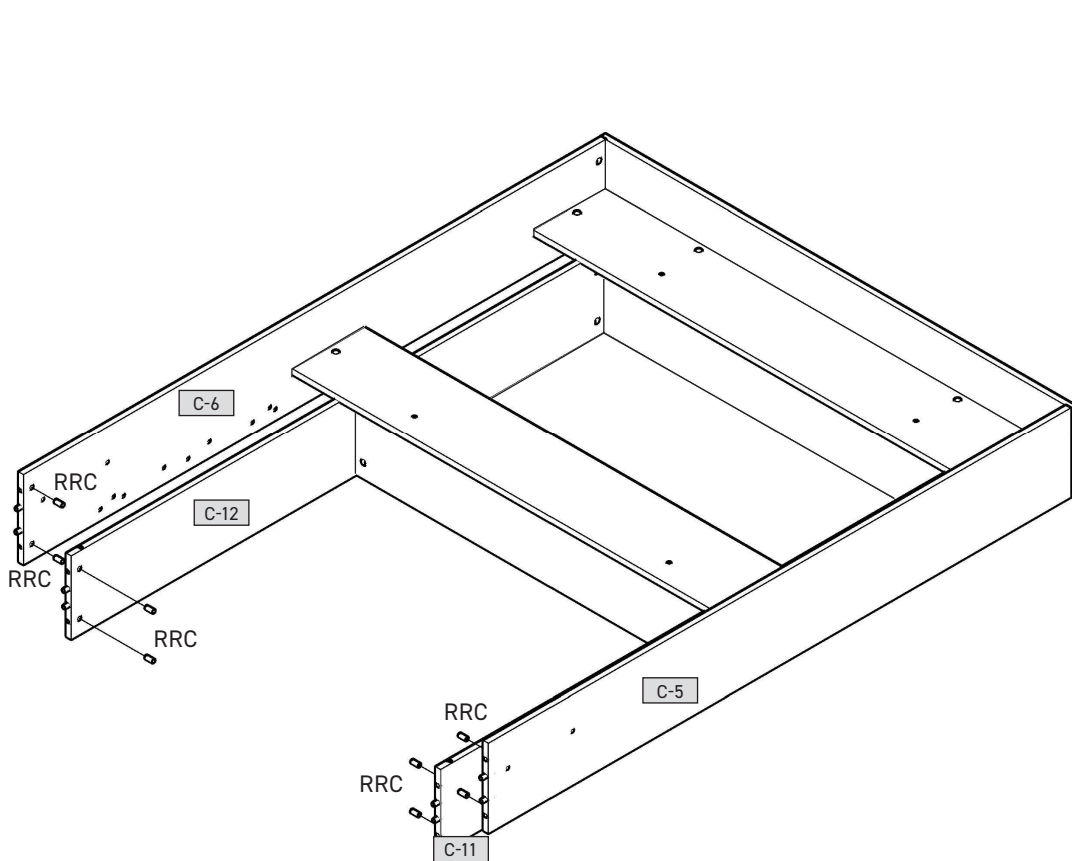
10



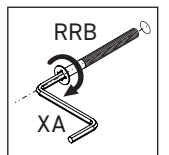
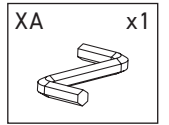
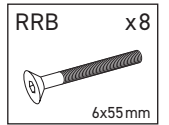
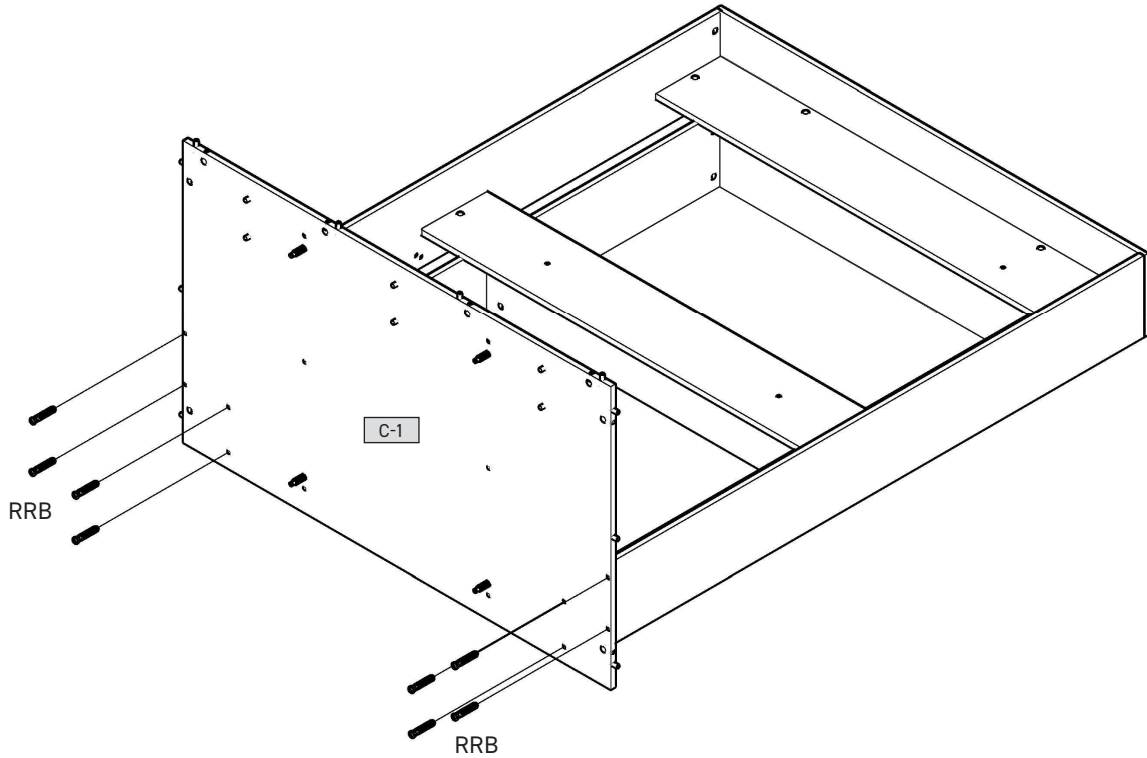
11



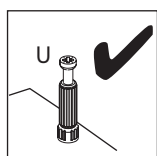
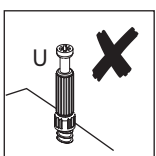
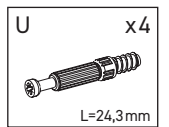
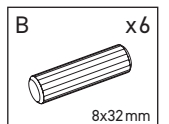
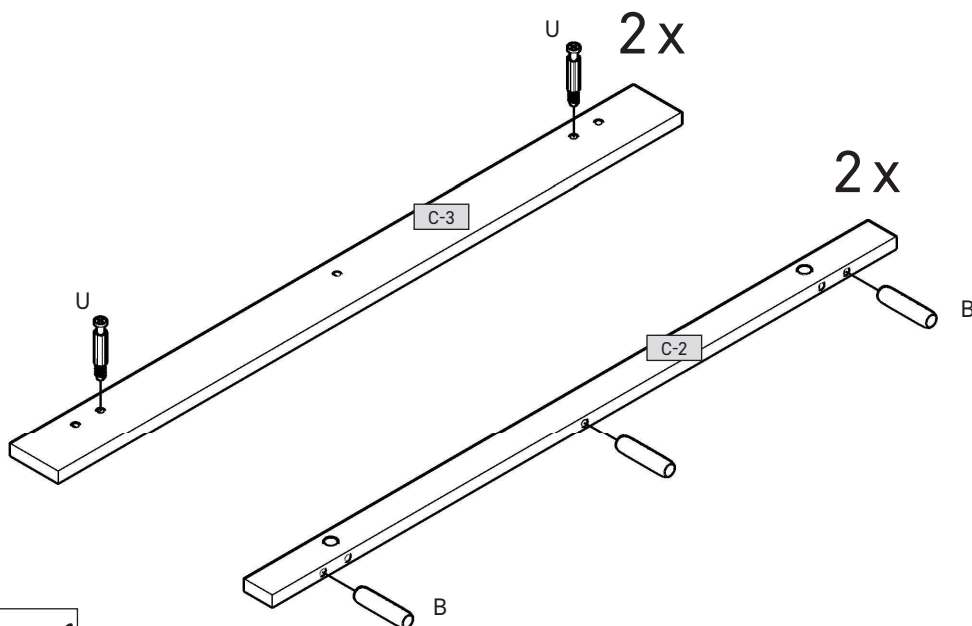
12



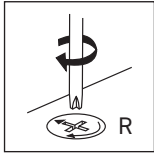
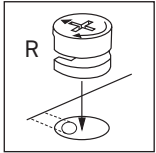
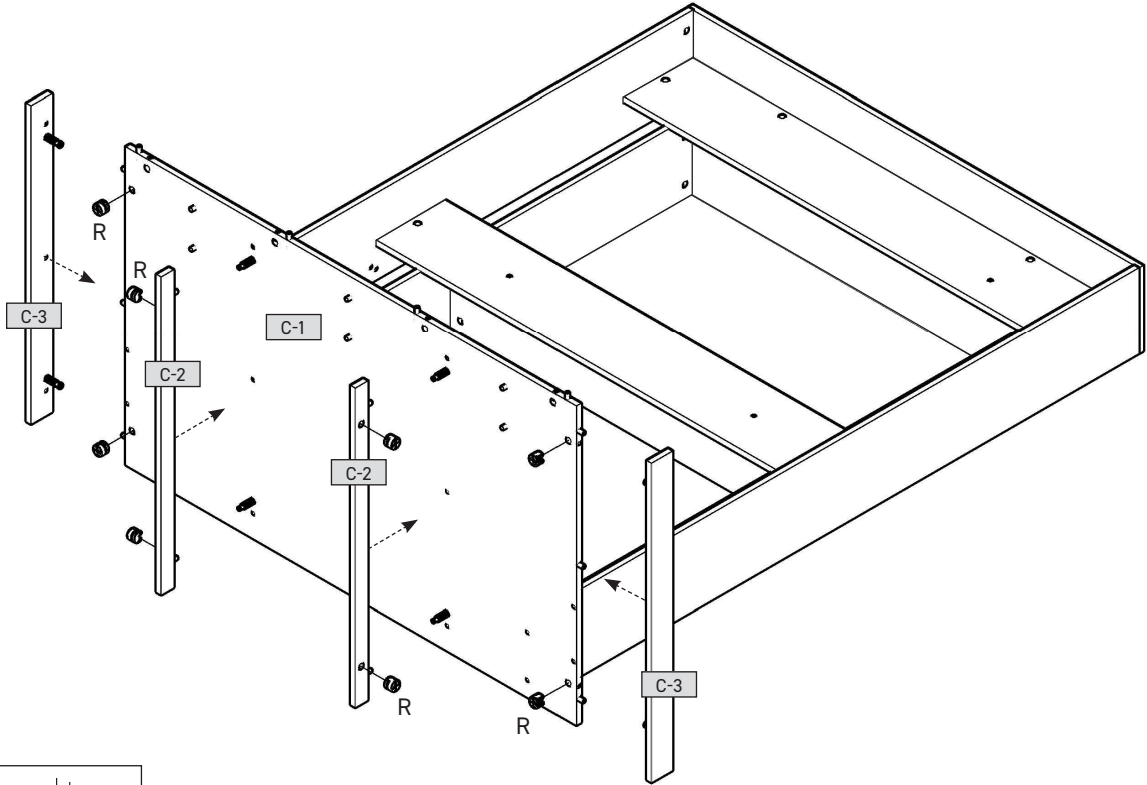
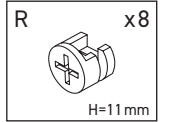
13



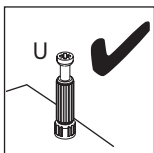
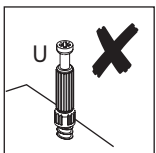
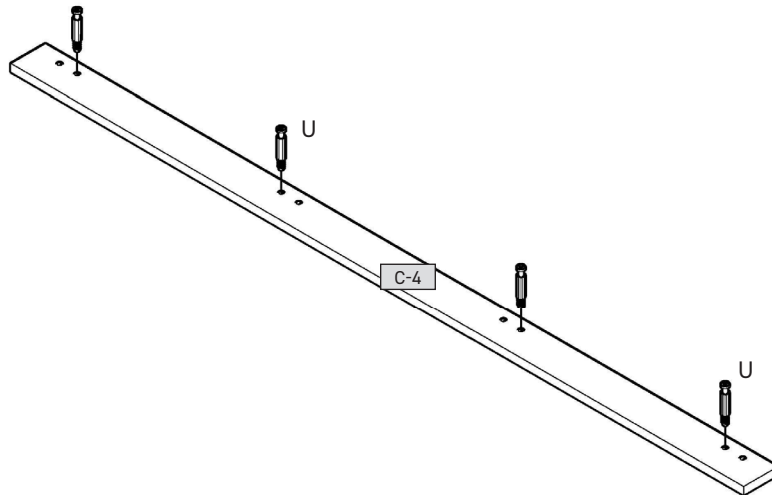
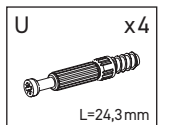
14



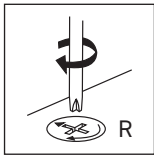
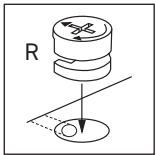
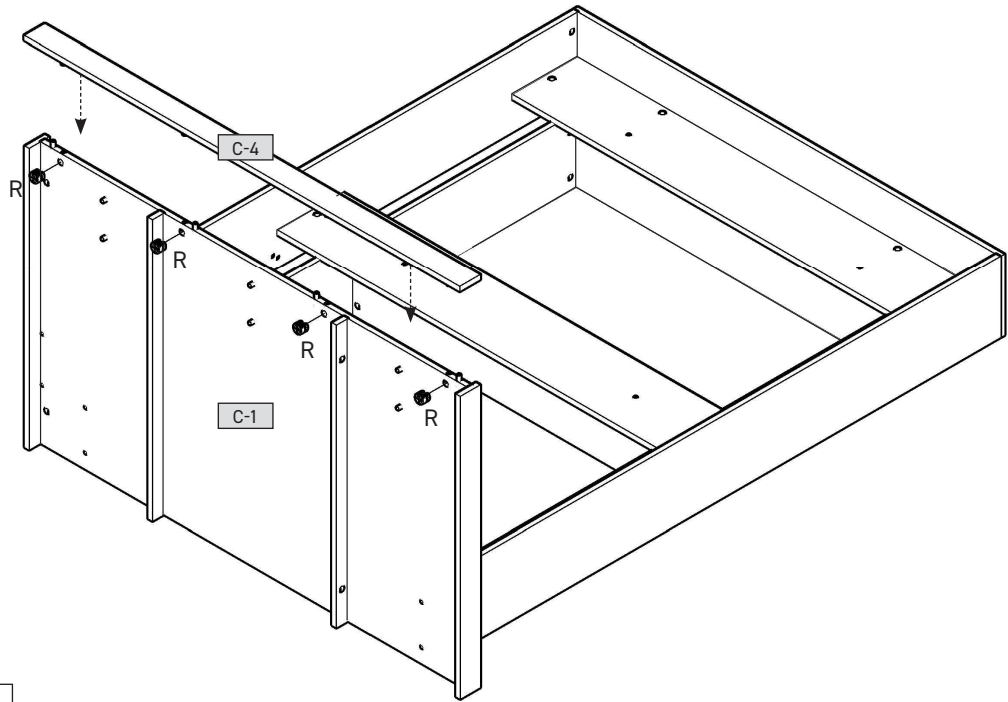
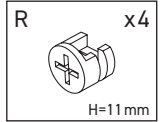
15



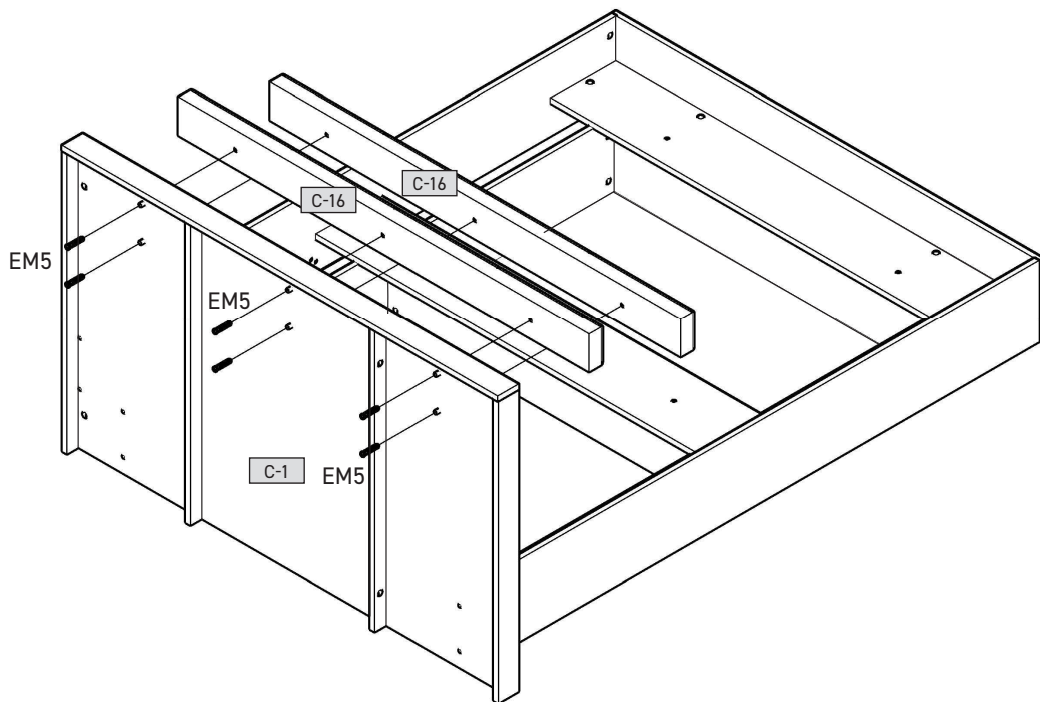
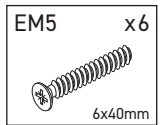
16



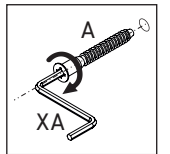
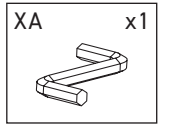
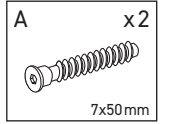
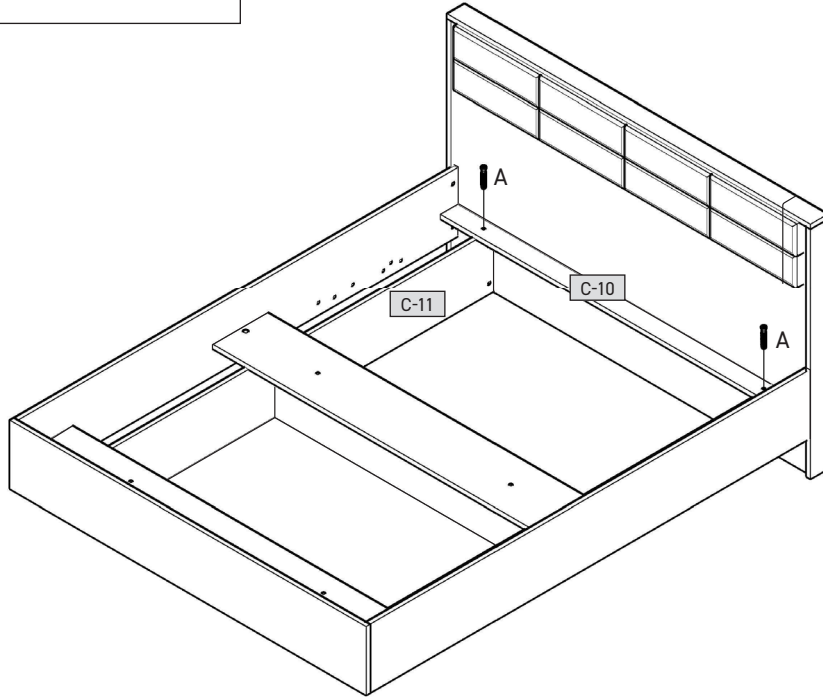
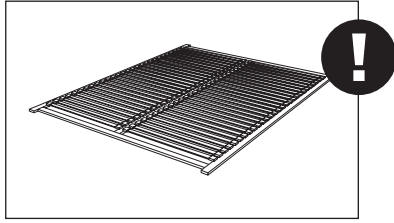
17



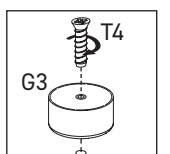
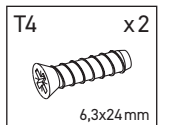
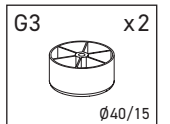
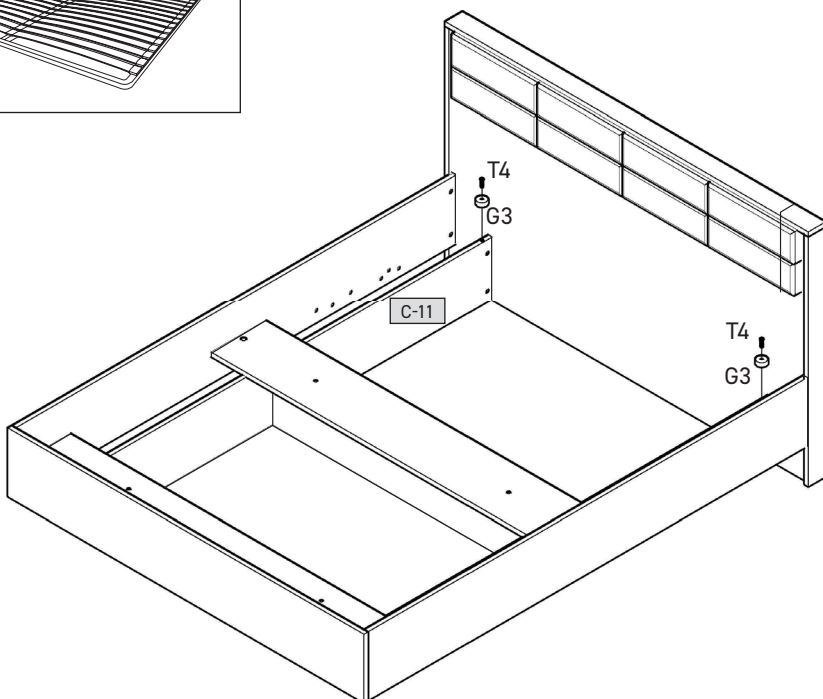
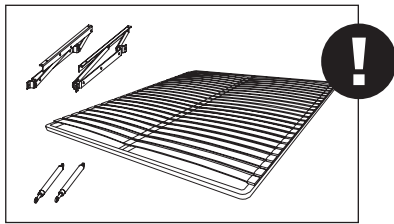
18



19

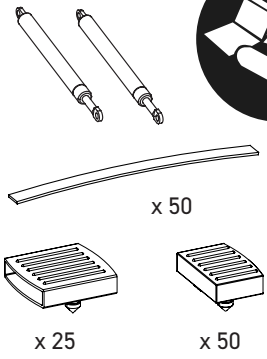
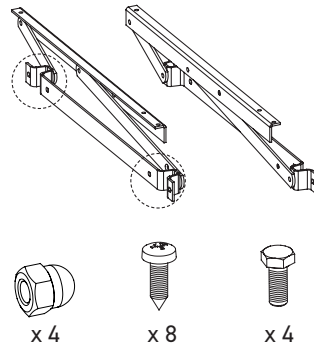
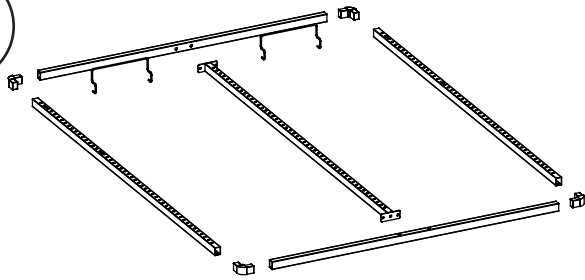


19



20

A



x 4

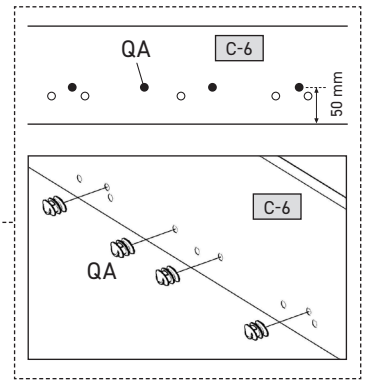
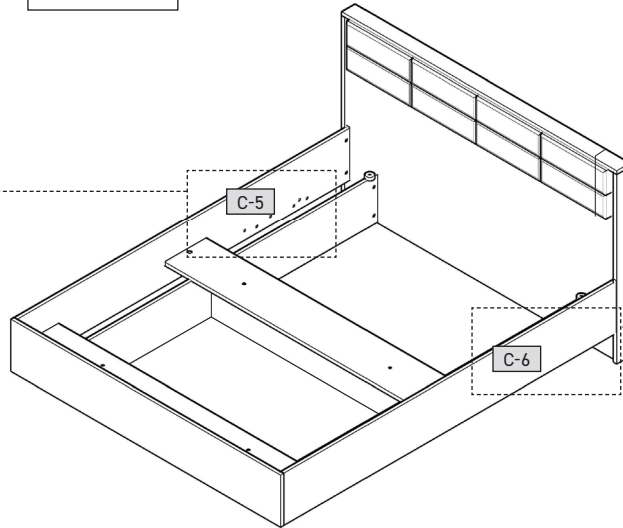
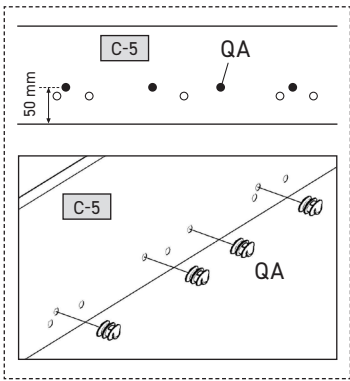
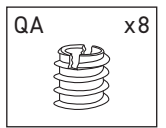
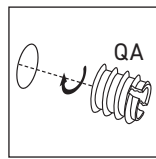
x 8

x 4

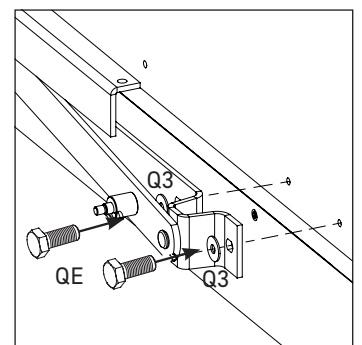
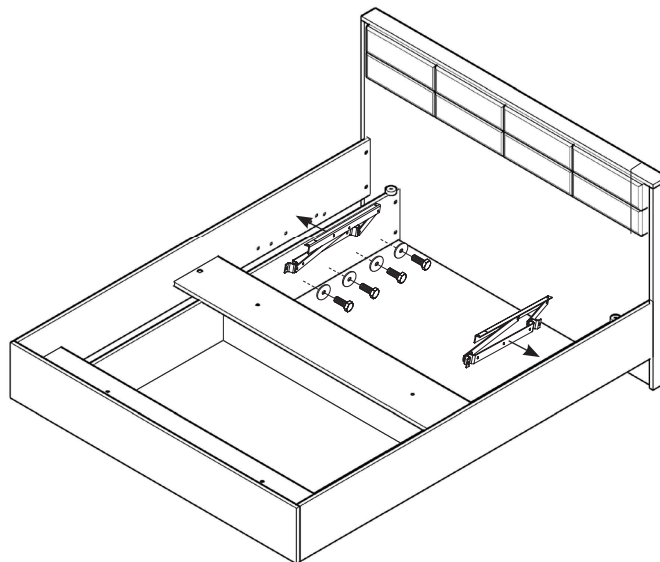
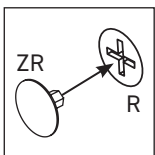
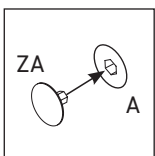
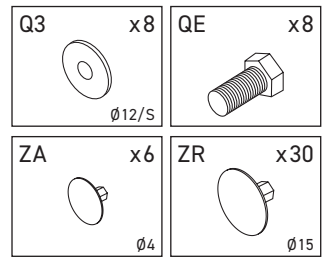
x 25

x 50

21

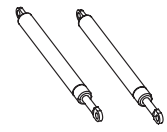
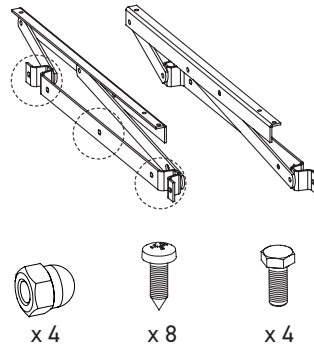
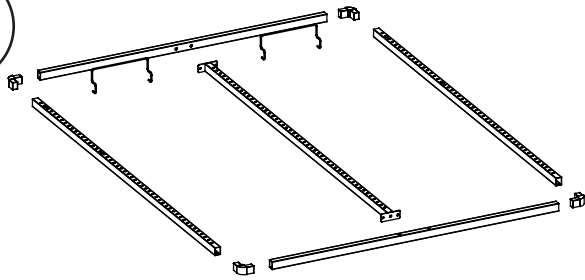


22

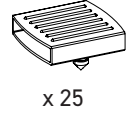


20

C



x 50



x 25



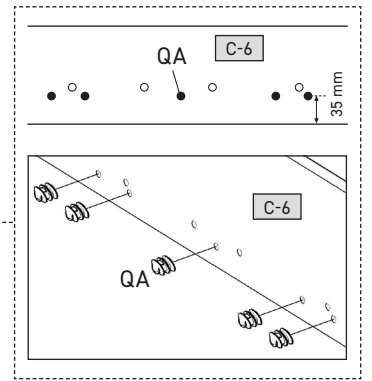
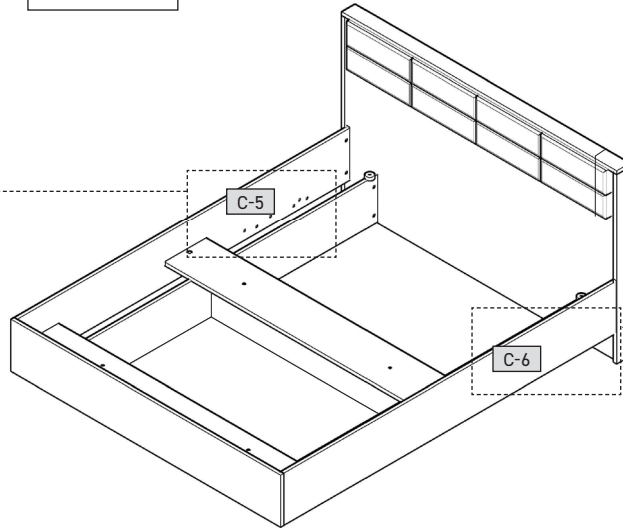
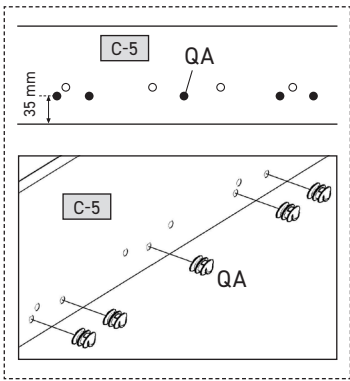
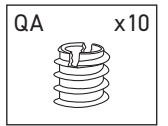
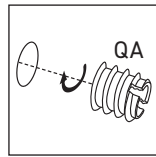
x 50

x 4

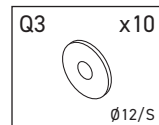
x 8

x 4

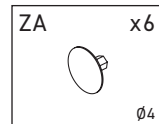
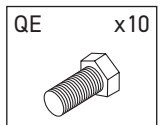
21



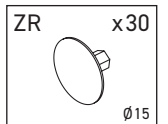
22



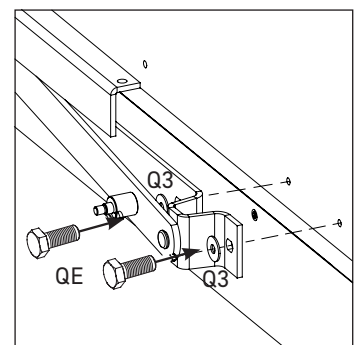
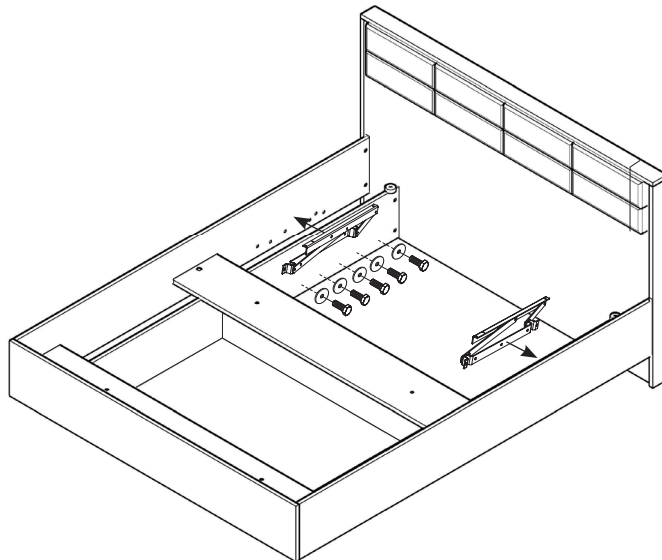
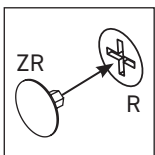
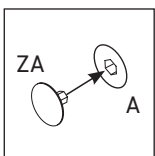
Ø12/S



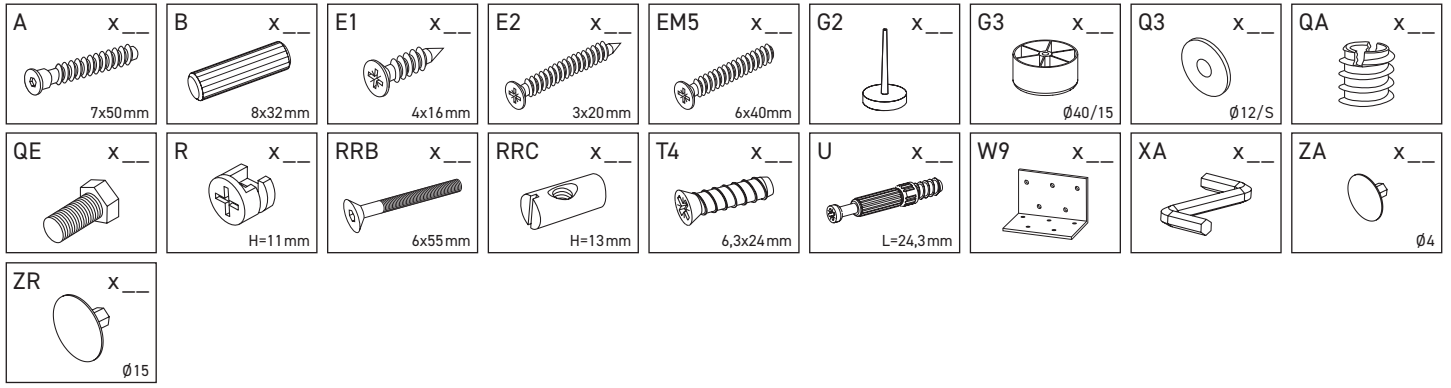
Ø4



Ø15







C-1	1632	1000	16	x 1	2/2
C-2	1000	44	16	x 2	1/2
C-3	1000	76	16	x 2	2/2
C-4	1666	78	16	x 1	1/2
C-5	2022	270	16	x 1	1/2
C-6	2022	270	16	x 1	1/2
C-7	1633	271	16	x 1	2/2
C-8	1600	250	16	x 1	2/2
C-9	1600	250	16	x 1	2/2
C-10	1600	80	16	x 1	2/2
C-11	1850	250	16	x 1	1/2
C-12	1850	250	16	x 1	1/2
C-13	1301	250	16	x 1	2/2
C-14	1268	250	16	x 1	2/2
C-15	1296	1002	3	x 1	2/2
C-16	1568	125	55	x 2	1/2

